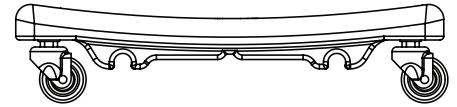




# Mini Creeper Upgrade For Mini Creeper & Compact Sit-On Creeper I

ITEM# 51490 & 38907 | INSTRUCTIONS



## ITEM, HARDWARE & PARTS INCLUDED

#	ITEM	QTY
1	Complete Mini Creeper Assembly	1

Diagram A: Disassembly GEN-1

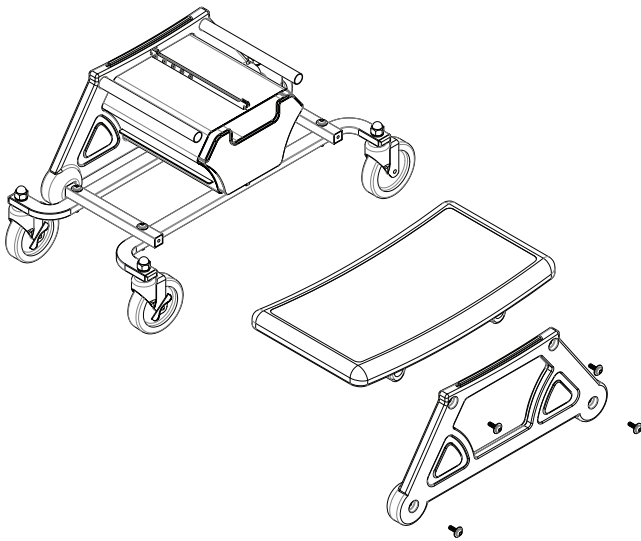
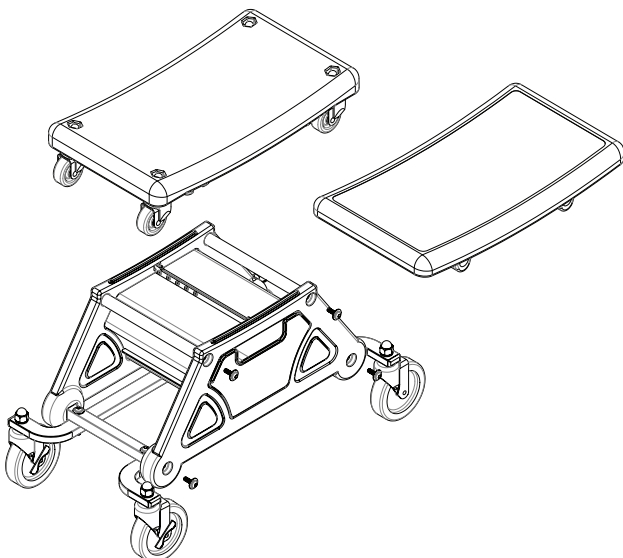


Diagram B: Install Gen-II Seating Creeper



### IMPORTANT: READ ALL INSTALLATION STEPS BEFORE BEGINNING ASSEMBLY

**WARNING!** Read and understand all instructions. This manual contains important safety, assembly, and operating instructions. Please read this manual carefully before assembling or using this creeper seat and save it for reference. Failure to do so can result in serious injury.

**Tools Required:** 4mm Hex Driver or Allen Wrench

### INSTALLATION STEPS:

1. With your Compact Sit-On Creeper sitting upright on its casters, loosen the top 4 - 4mm hex fasteners (2 on the front of the creeper and 2 on the back) with a 4mm allen wrench or hex driver.
2. Lay your Compact Sit-On Creeper on its back so that the drawer front is facing up. Remove the drawer and set aside. Then, completely remove the front 4 - 4mm hex fasteners with washers (the top 2 were loosened in step 1). Place hardware together in a secure location.
3. Turn your creeper over so that the side opposite the drawer front is facing up and completely remove the top 2 - 4mm hex fasteners and washers that were also loosened in step 1. Place hardware together in a secure location.
4. Turn your creeper back over so that the drawer opening is facing up. Lifting slightly on the corner of the seat surface close to the front panel, remove the front panel and set aside (if necessary, shake the front panel slightly to release the joint with the seat).
5. Stand the creeper up onto its casters and lifting slightly on the corner closest to the side of the seat that is still attached, remove the seat from the creeper (if necessary, shake the seat slightly to release the joint with the back panel).
6. Remove the black round tubes from the seat and you are ready to reassemble your creeper for use with the Mini Creeper attachment.
7. Place the black round tubes into the round recesses at the top corners of the back panel and secure them with the 4mm hex fasteners removed earlier, torque the fasteners but do not overtighten.
8. Lay the creeper on its back panel again. Checking that the drawer housing sleeve is lined up with its recess in the front and back panels, place the front panel back onto the creeper frame. Ensure the top round recesses in the front panel fit the black round tubes and that the bottom square recesses fit the bottom frame cross bars. Secure the front panel with the 4 - 4mm hex fasteners removed in step 2.
9. Once all fasteners are tight, you are ready to install your new Mini Creeper. Simply center the Mini Creeper over the top of your Compact Sit-On Creeper frame, lining up the recesses in the bottom of the Mini Creeper with the 2 round bars in the creeper frame and press down firmly until you hear the two pieces click together. To make engagement easier, reach under both sides of the mini creeper seat to find the spring locks. While holding both sides of the seat pull the spring locks outward and press down on the seat until locked into the seat. You are now ready to have fun in your garage with the versatility of a 2-in-1 creeper.
10. To remove the Mini Creeper from your Compact Sit-On Creeper frame for use, simply place a foot on one caster reach under the seat to find the spring lock, pull outward on the spring lock, and pull up on the same end of the Mini Creeper, unlocking it from the frame bars.

**CAUTION: DO NOT** stand on the full creeper or Mini Creeper for any reason!

### IMPORTANT SAFETY INFORMATION:

- Do not roll the seat while loaded over rough surfaces that may cause wheels to catch or the seat to tip. Use on flat, level, hard surfaces only.
- Wear ANSI-approved safety goggles and work gloves during assembly.
- Use as intended only. Do not stand on seat. Do not lean back on the seat or sit on any edge of the seat. If you sit on the edge of the seat or lean too far in any direction tipping may occur.
- This product is not a toy. Do not allow children to play on or near this product.
- Weight capacity and product capabilities apply to properly and completely assembled product only.
- Inspect before every use. Do not use if parts are loose or damaged.
- Do not exceed 300 lb weight capacity. Be aware of dynamic loading! Sudden load movement or applying sudden weight to the seat may briefly create excess load causing product failure.

*Have fun in your garage!®*