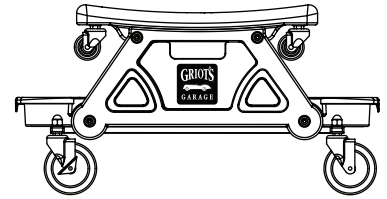




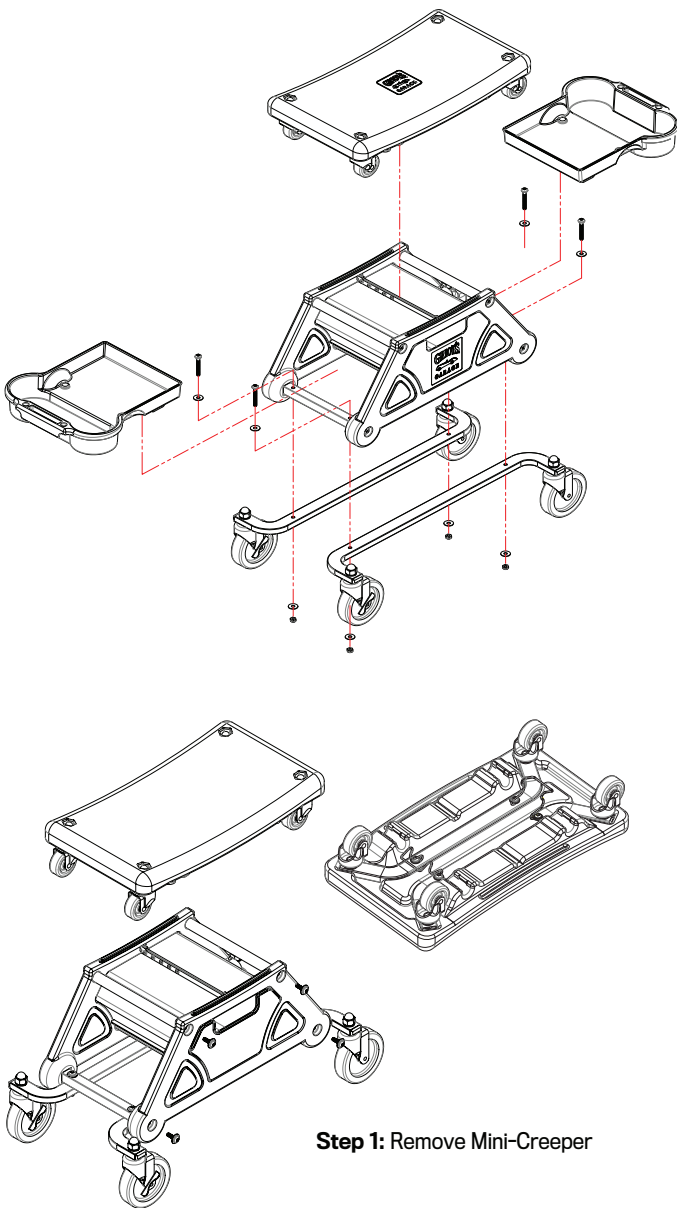
Compact Sit-On Creeper II

ITEM# 38953 | INSTRUCTIONS



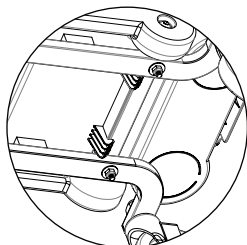
ITEM, HARDWARE & PARTS INCLUDED

#	ITEM	UNIT	QTY	#	ITEM	UNIT	QTY
A	Main Frame Assembly w/ Mini-Creeper Installed	SET	1	4	M6 Washer	PCS	8
1	Tool Tray	PCS	2	5	M6 Nyloc Nut	PCS	1
2	Underside Frame & 4" Wheel Assembly	SET	2	6	Center Drawer	PCS	2
3	M6 x 45mm Screw	PCS	4				



Step 1: Remove Mini-Creeper

Step 6: Tool Tray Underside Clipper



IMPORTANT: READ ALL INSTALLATION STEPS BEFORE BEGINNING ASSEMBLY

WARNING! Read and understand all instructions. This manual contains important safety, assembly, and operating instructions. Please read this manual carefully before assembling or using this creeper seat and save it for reference. Failure to do so can result in serious injury.

Tools Required: 4mm Hex Driver or Allen Wrench and 10 mm socket with driver/ratchet.

INSTALLATION STEPS:

- Organize all components on a clean space on a workbench or the floor. The Mini Creeper is factory pre-installed on the creeper frame. The full Mini Creeper can be removed by placing a foot on a wheel, reaching under the Mini Creeper seat on either end to find the spring lock, and pulling outward on the spring lock while lifting the seat top upward until released from the frame. Removing the Mini Creeper is not necessary for assembly.
- To re-install the Mini Creeper, simply center onto the frame, and firmly press downward on both sides of the seat until the spring locks click into place. Before sitting, pull up on the seat to check that it is locked in place.
- Place the Compact Sit-On Creeper II main body assembly upside down on your work surface.
- Take 1 - Bottom Frame and Wheel Assembly and place it on the main body assembly with the casters aligned outwards and the fastener holes lined up.
- Insert two M6 x 45 mm screws with washers through the mounting holes from the top side of the main body assembly frame (see diagram). Place two M6 nyloc nuts with washers onto the screws protruding through the bottom of the Bottom Frame and Wheel Assembly. Holding the screws with a 4 mm hex driver, tighten the M6 nyloc nuts with a 10 mm socket and driver/ratchet until they are snug to the bottom frame. Do not overtighten.
- Repeat steps 3-4 with the second Bottom Frame and Wheel Assembly piece on the other side.
- Turn the creeper assembly over onto its wheels. Double check that all fasteners are tightened securely.
- Take one Tool Tray and insert on one side of the cart bottom frame at a 45-degree angle. Push downward firmly on the end of the Tool Tray near the bottle holders until the clips lock into place on the frame. If locking the trays in place is difficult you can reach underneath the tray and push the clips inward toward the center of the creeper to allow the trays to lock in place easily.
- Sit on the cart and test that all casters and frame pieces are fully secure. If not, re-tighten any loose fasteners. Now go have fun in your garage!

Note: Over time with regular use, there is a chance that fasteners may become loose. Check fasteners periodically to ensure everything is secure and safe for use. The creeper body and trays can be safely cleaned with multiple products including Interior Cleaner, Interior Detailer, Speed Shine, etc.

IMPORTANT SAFETY INFORMATION:

- Do not roll the seat while loaded over rough surfaces that may cause wheels to catch or the seat to tip. Use on flat, level, hard surfaces only.
- Wear ANSI-approved safety goggles and work gloves during assembly.
- Use as intended only. Do not stand on seat. Do not lean back on the seat or sit on any edge of the seat. If you sit on the edge of the seat or lean too far in any direction tipping may occur.
- This product is not a toy. Do not allow children to play on or near this product.
- Weight capacity and product capabilities apply to properly and completely assembled product only.
- Inspect before every use. Do not use if parts are loose or damaged.
- Do not exceed 300 lb weight capacity. Be aware of dynamic loading! Sudden load movement or applying sudden weight to the seat may briefly create excess load causing product failure.

Have fun in your garage!®