



3" MINI PNEUMATIC ORBITAL

Thank you for choosing this fine product from GRIOT'S GARAGE. The 3" MINI PNEUMATIC ORBITAL is a professional duty machine. It's perfect for the weekend user or the professional detailer. Its lightweight and compact design allows access where larger orbital's can not reach. Enjoy the best.

SPECIFICATIONS:

Speed (rpm)	16,000
Air Consumption	5 CFM
Weight	1¾ lbs.
Air Inlet	¼" NPT
Air Pressure	90 psi
Pad Size	3"

AIR PRESSURE

Different polishes and waxes require different speeds. For example, GRIOT'S GARAGE Machine Polish 1 is our most aggressive Polish. To remove deep swirl marks it may be necessary to increase the speed to high. Your final waxes, on the other hand, may require lower speeds. It may be necessary to reduce the speed to low. The maximum operating performance of the 3" MINI PNEUMATIC ORBITAL is from 70 psi to 100 psi.

AIR SUPPLY

Use a ¾ inch diameter air hose between the air compressor and the 3" MINI PNEUMATIC ORBITAL. Compressed air is cooled and moisture is separated as soon as the air leaves the compressor. A portion of water may condense inside the airline. This moisture can enter the 3" MINI PNEUMATIC ORBITAL and cause problems with the inner workings of the machine. A filter is recommended to help remove any moisture that might enter the machine. For optimum performance we recommend using a 3 HP or larger air compressor.

TRIGGER ACTIVATED SWITCH

The on-off trigger switch is located on the top end of the handle. It is a "hold-to-run" type of switch. You can change the running speed by adjusting the speed control switch located on the side of the handle next to the trigger switch. When the on-off switch is released the Pneumatic Orbital will take a few moments to stop running.

SPEED CONTROL SWITCH

The speed control switch is located on the side of the handle next to the trigger switch. It is a dial that controls the air entering the motor. You can change the running speed by rotating the dial.

LUBRICATION

We recommend that you add two to three drops of oil at the air inlet port every time you use the 3" MINI PNEUMATIC ORBITAL. Use #60 spindle oil or a comparable grade air tool oil. Additional oiling is necessary if the 3" MINI PNEUMATIC ORBITAL is used for more than three to four hours. Oiling will help maintain the performance of the 3" MINI PNEUMATIC ORBITAL.

STORAGE

Avoid storing the 3" MINI PNEUMATIC ORBITAL in high humidity locations. If the 3" MINI PNEUMATIC ORBITAL is left unused, the residual moisture inside can cause rust to form. Before storing and after operation, add two to three drops oil to the air inlet and let it run for a short time.



WARNING!

1. This tool is not insulated for contact with electrical power sources.
2. Secure long hair, loose clothing or jewelry.
3. Never carry the 3" MINI PNEUMATIC ORBITAL by the hose.
4. The rotating action of the Random Pneumatic Orbital can cause this tool to become hot. Allow the 3" MINI PNEUMATIC ORBITAL time to cool.
5. Disconnect the hose before making changes or adjustments.

DISCLAIMER

GRIOT'S GARAGE is not responsible for any misuse of the 3" MINI PNEUMATIC ORBITAL for any injury or damage incurred to any person or object related to the 3" MINI PNEUMATIC ORBITAL.

ANSWERS TO YOUR QUESTIONS

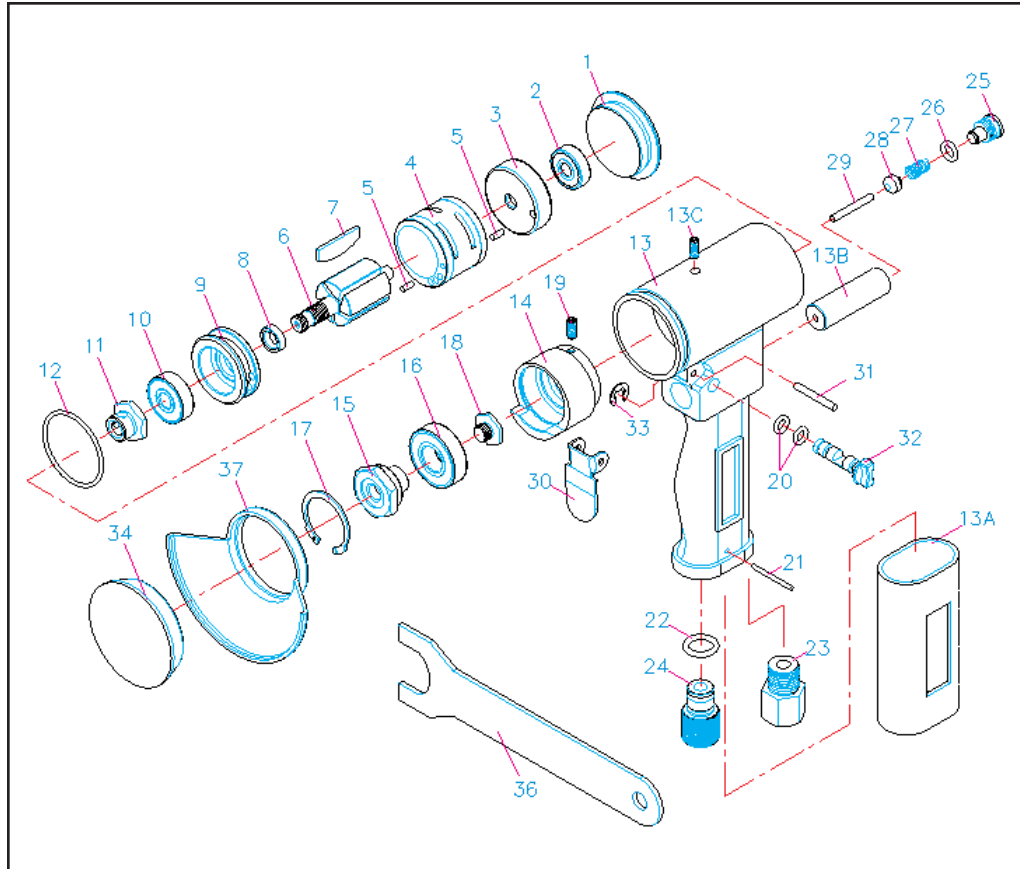
Should you want to order another 3" MINI PNEUMATIC ORBITAL, or for a complete selection of quality GRIOT'S GARAGE products, please write, use the internet or call us toll free. Reorder item number 10420.

Have fun in your garage!

GRIOT'S GARAGE, INC.
3333 SOUTH 38th STREET
TACOMA, WA 98409
800-345-5789
www.griotsgarage.com

© GRIOT'S GARAGE, INC.





Index No	Part No	Description	Qty	Index No	Part No	Description	Qty
1	901001	Body Cap	1	18	901018	Screw	1
2	BB-06262	Bearing	1	19	SS-0410A	Set Screw (M4x10)	2
3	901003	Rear End Plate	1	20	ORP-006	O-Ring	2
4	901004	Cylinder	1	21	NR-25198	Needle Roller (2.5x19.8)	1
5	SP-25060	Spring Pin (2.5x6)	1	22	ORP-0080	O-Ring	1
6	901006	Rotor	1	23	315009	Air Inlet	1
7	901007	Blades	5	24	901N024	Silencer	1
8	901008	Rotor Spacer	1	25	901025	Valve Cap	1
9	901009	Front End Plate	1	26	ORP-0070	O-Ring	1
10	BB-06082	Bearing	1	27	901027	Valve Spring	1
11	901011	Lock Nut	1	28	901028	Valve Ball	1
12	ORP-0027	O-Ring (33.05x1.78)	1	29	NR-30248	Valve Pin (3x24.8)	1
13	901N013	Body	1	30	901030	Valve Lever	1
13A	901013A	Cover Handle	1	31	SP-30180	Spring Pin (3x18)	1
13B	901013B	Valve Bushing	1	32	901N032	Regulator	1
13C	SS-0505A	Set Screw (M5x4)	1	33	LTW-005	E-Ring	1
14	901014	Shaft Head	1	34	301034NT	2" Pad	1
15	901015	Pad Retainer	1	36	316043	Wrench	1
16	BB-60012	Bearing	1	37	901N037	Shroud	1
17	IRTW-028	Snap Ring	1				