



G15 & G21 | Long-Throw Orbital Polishers



Welcome to my life's work...

We introduced our first random orbital polisher in 1992 and what you hold in your hands is our next generation of professional-grade polishers. These machines have been engineered so experienced enthusiasts can achieve a Best of Show[®] finish. We've taken the best that exists and made it superior in every way. Drawing on our heritage of high-performance tool design, every detail of our all-new G15 and G21 Long-Throw Orbital Polishers will maximize performance, control, and comfort.



Have fun in your garage!®

Richard

Richard Griot

⚠ SAVE ALL WARNING AND INSTRUCTIONS FOR FUTURE REFERENCE

Please read and understand this manual. It contains information that relates to personal protection of you and others. The symbols printed throughout this manual are used to help you recognize this information. Please see page 2.

Have fun in your garage!®

SAFETY GUIDELINES



The definitions below describe the level of severity for each signal word.

Please read the manual and pay close attention to symbols.



WARNING Description of hazard and possible resulting injuries or death.



CAUTION Indicates a potentially hazardous situation which, if not avoided, may result in minor or moderate injury.

EXPLANATION OF SIGNAL WORD CONSEQUENCES



“Class II”
Construction



WARNING -
Hazardous Voltage



Do Not Discard In
Household Waste



Read And Follow
Use Instructions



Wear Proper Eye
Protection



Wear Respiratory
Protection



Wear Gloves



Wear Proper
Hearing Protection

GENERAL POWER TOOL SAFETY WARNINGS



WARNING: To reduce the risk of injury read instruction manual. Failure to follow the warnings and instructions may result in electric shock, fire, and/or serious injury. The term “power tool” in the warnings refers to your G15/G21 Long-Throw Orbital Polisher.

1. WORK AREA SAFETY

- Keep work area clean and well lit. Cluttered or dark areas invite accidents.
- Do not operate power tool in explosive atmospheres, such as in the presence of flammable liquids, gases, or dust. Power tools create sparks which may ignite the dust or fumes.
- Keep children and bystanders away while operating power tool. Distractions can cause you to lose control.

2. ELECTRICAL SAFETY

- Power tool’s plug must match the outlet. Never modify the plug in any way. Do not use any adapter plugs with earthed (grounded) power tools. Proper, unmodified plugs and matching outlets will reduce risk of electric shock.
- Avoid body contact with earthed or grounded surfaces such as pipes, radiators, ranges, and refrigerators. There is an increased risk of electric shock if your body is earthed or grounded.
- Do not expose power tools to rain or wet conditions. Water entering a power tool will increase the risk of electric shock.
- Do not abuse the cord. Never use the cord for carrying, pulling, or unplugging the power tool. Keep cord away from heat, oil, sharp edges, or moving parts. Damaged or entangled cords increase the risk of electric shock.
- When operating power tool outdoors, use an extension cord suitable for outdoor use. Use of a cord suitable for outdoor use reduces the risk of electric shock.
- If operating power tool in a damp location is unavoidable, use a Ground Fault Circuit Interrupter (GFCI) protected power supply. Use of a GFCI reduces the risk of electric shock.

3. PERSONAL SAFETY

- Stay alert, watch what you are doing, and use common sense when operating power tool. Do not use power tool while you are tired or under the influence of

drugs, alcohol, or medication. A moment of inattention while operating power tool may result in serious personal injury.

- b) Use personal protective equipment. Always wear eye protection. Use of protective equipment such as a dust mask, gloves, or hearing protection under appropriate conditions will reduce the chance of personal injury.
- c) Prevent unintentional starting. Ensure the switch is in the “Off” position before connecting to power source, picking up, or carrying the tool. Carrying power tools with your finger on the switch or energizing power tools that have the switch “On” invites accidents.
- d) Remove any adjusting key or wrench before turning the power tool on. A wrench or a key left attached to a rotating part of the tool may result in personal injury.
- e) Do not overreach. Keep proper footing and balance at all times. This enables better control of the power tool in unexpected situations.
- f) Dress properly. Do not wear loose clothing or jewelry. Keep hair, clothing, and gloves away from moving parts. Loose clothes, jewelry, or long hair can be caught in moving parts.
- g) Do not let familiarity gained from frequent use of power tools allow you to become complacent and ignore tool safety principles. A careless action can cause severe injury within a fraction of a second.

4. POWER TOOL USAGE AND CARE

- a) Do not force the power tool. This Griot’s Garage G15/G21 Long-Throw Orbital Polisher is intended to function as a buffer, polisher, and wax/sealant application tool.
- b) Do not use the power tool if the switch does not turn it on and off. Any power tool that cannot be controlled with the switch is dangerous and must be repaired.
- c) Disconnect the power tool plug from the power source before making any adjustments, changing accessories, or storing power tool. Such preventive safety measures reduce the risk of starting the power tool accidentally.
- d) Store idle power tools out of the reach of children and do not allow persons unfamiliar with the power tool or these instructions to operate the power tool. Power tools are dangerous in the hands of untrained users.
- e) Maintain power tools. Check for misalignment or binding of moving parts, breakage of parts, and any other condition that may affect power tool operation. If damaged, repair power tool before use. Many accidents are caused by poorly maintained power tools.
- f) Use the power tool and accessories, in accordance with these instructions, taking into account the working conditions and the task to be performed. Use of the power tool for operations different from those intended could result in a hazardous situation.

5. SAFETY INSTRUCTIONS FOR POLISHING

- a) This power tool is intended to function as a polisher. Please read all safety warnings, instructions, illustrations and specifications provided with this power tool. Failure to follow all instructions listed herein may result in electric shock, fire, and/or serious injury.
- b) Do not use this power tool to perform work such as roughing, fine sanding, brushing, or abrasive cutting. Operations for which the power tool was not designed may create a hazard and cause personal injury.
- c) Never use accessories that were not specially developed and designed for this power tool. Just because an accessory part can be fitted on your machine does not guarantee safe or optimum performance.

- d) The rated speed of the accessory must be at least equal to the maximum speed communicated on the power tool. Accessories that rotate faster than the permissible level can break and fly apart.
- e) The outside diameter and thickness of your backing plate must be within capacity rating of your power tool. Incorrectly sized accessories cannot be adequately guarded or controlled.
- f) Threaded mounting of accessories must match the power tool's spindle thread. For accessories mounted by flanges, the arbor hole of the accessory must fit the locating diameter of the flange. Accessories that do not match the mounting hardware of the power tool will run out of balance, vibrate excessively and may cause loss of control.
- g) Do not use a damaged accessory. Before each use inspect the accessory such as backing plate for cracks or tears. If power tool or accessory is dropped, inspect for damage or install an undamaged accessory. After inspecting and installing an accessory, position yourself and bystanders away from the plane of the rotating accessory and run the power tool at maximum no-load speed for one minute. Damaged accessories will normally break apart during this test time.
- h) Wear personal protective equipment. Depending on application, use face shield, safety goggles, or safety glasses. As appropriate, wear dust mask, hearing protectors, gloves, and a workshop apron capable of stopping small abrasives or flying fragments. The eye protection must be capable of stopping flying debris generated by various operations. The dust mask or respirator must be capable of filtrating particles generated by your operation. Prolonged exposure to high-intensity noise may cause hearing loss.
- i) Keep bystanders a safe distance away from work area. Anyone entering the work area must wear personal protective equipment. Fragments of material or pieces of a broken accessory may fly away and cause injury beyond the area of operation.
- j) Hold power tool by insulated gripping surfaces only, when performing an operation where the accessory may contact hidden wiring or its own cord. A spinning accessory contacting a "live" wire may make exposed metal parts of the power tool "live" and shock the operator.
- k) Position the cord clear of the spinning accessory. If you lose control, the cord may be cut or snagged and your hand or arm may be pulled in causing injury.
- l) Never lay the power tool down until the accessory has come to a complete stop. The spinning accessory may grab the surface and pull the power tool out of your control.
- m) Do not run the power tool while carrying it at your side. Accidental contact with the spinning accessory may snag clothing, pulling the accessory into your body.
- n) Regularly clean the power tool's air vents. The motor's fan will draw the dust inside the housing and excessive accumulation of powdered metal may cause electrical hazards or overheating.
- o) Do not operate the power tool near flammable materials. Sparks could ignite these materials.
- p) Do not use accessories that require liquid coolants. Using water or other liquid coolants may result in electrocution or shock.

6. KICKBACK AND RELATED WARNINGS

Kickback is a sudden reaction to a pinched or snagged rotating wheel, backing plate, brush, or any other accessory. Pinching or snagging causes rapid stalling of

the rotating accessory which in turn causes the uncontrolled power tool to be forced in the direction opposite of the accessory's rotation at the point of the binding. For example, if a pad is snagged or pinched by the trim, the edge of the pad that is entering into the pinch point can dig into the surface of the material causing the wheel to climb out or kick out. The tool may either jump toward or away from the operator, depending on direction of the pad's movement at the point of pinching. Rotating accessories may also break under these conditions. Kickback is the result of tool misuse and/or incorrect operating procedures or conditions and can be avoided by taking proper precautions as given below:

- a) Maintain a firm grip on the power tool and position your body and arm to allow you to resist kickback forces. The operator can control torque reaction or kickback forces, if proper precautions are taken.
- b) Never place your hand near the rotating accessory. Accessory may kickback over your hand.
- c) Do not position your body in the area where the power tool will move if kickback occurs. Kickback will propel the tool in direction opposite to the wheel's movement at the point of snagging.
- d) Exercise extreme caution when working corners, sharp edges, etc. Avoid bouncing and snagging the rotating accessory. Corners, sharp edges, or bouncing have a tendency to snag the rotating accessory and cause loss of control or kickback.

SAFETY WARNINGS FOR POLISHING OPERATIONS

Do not allow any loose portion of the polishing pad to spin freely. Tuck away or trim any loose attachment strings. Loose and spinning attachment strings can entangle your fingers or snag on the area being worked on.

⚠ WARNING: Refer to polish manufacturer's Safety Data Sheet (SDS) to ensure the components are not listed under Proposition 65. Some older paint finishes may contain lead, polishes may contain crystalline silica, and other potential known carcinogens. The risk to these exposures vary depending on how often you do this type of work. Work in a well-ventilated area and wear an approved respirator or dust mask. Wash hands after handling.

⚠ WARNING: Use of this tool can generate and/or disperse dust, which may cause serious and permanent respiratory or other injury. Always use NIOSH/OSHA approved respiratory protection appropriate to dust exposure. When possible, direct particles away from face and body.

ADDITIONAL SAFETY INSTRUCTIONS FOR POLISHERS

⚠ CAUTION Always use eye protection. All users and bystanders must wear eye protection that conforms to ANSI Z87.1.

- Clean out your tool often, especially after heavy use. Dust and grit containing metal particles often accumulate on interior surfaces and could create an electric shock hazard.
- Do not operate tool for long periods of time. Vibration caused by the operating action of tool may cause permanent injury to fingers, hands, and arms. Use gloves to provide extra cushion, take frequent rest periods, and limit daily time of use.
- Air vents often cover moving parts and should be avoided. Loose clothes, jewelry, or long hair can be caught in moving parts.

Power Tool Specifications

Type	G15	G21
Orbit Size	15mm ($\frac{19}{32}$ ")	21mm ($\frac{13}{16}$ ")
Spindle Thread Size	$\frac{5}{16}$ " - 24	$\frac{5}{16}$ " - 24
Orbits Per Minute (OPM)	3,000 - 5,300 (free speed)	3,000 - 4,500 (free speed)
Voltage	110V/60Hz	
Power Output (Watts)	1,100W	
Power Output (Amperes)	10A	
Cord Length	10' (3 meters)/ Optional 25' (7.6 meters)	
Length (Without Cord)	390mm ($15\frac{3}{8}$ ")	
Weight (Without Cord)	5.3 lbs /2.4 kg	5.3 lbs /2.4 kg
Constant Speed Control	Yes	
Variable Speed Trigger Throttle	Yes	
Factory Installed Backing Plate	5"	6"
Safety Restart Protection	Yes	

EXTENSION CORD USE

An extension cord must have adequate wire size (AWG or American Wire Gauge) for safety. The smaller the gauge number of the wire, the greater the capacity of the cable such that 16-gauge has more capacity than 18-gauge. An undersized cord will cause a drop in line voltage resulting in loss of power and overheating. The following table shows the correct size to use depending on cord length. If in doubt, use the next heavier gauge. The smaller the gauge number, the heavier the cord. Never use two extension cords together.

Extension Cord Length	25'	50'	100'	150'
Cable Size (AWG)	16	16	16	14
Only use UL- and CSA-certified extension cords.				

⚠ CAUTION: Dispose of tool in accordance with local law. Recycle machines, accessories, and packaging at an environmentally responsible recycling center to reduce the risk associated with environmental contamination.

OPERATION

⚠ WARNING: To reduce the risk of serious personal injury, turn off power tool and unplug from power source before making any adjustments or removing/installing accessories or attachments.

ACCESSORIES

⚠ WARNING: Since accessories, other than those offered by Griot's Garage, have not been evaluated with this polisher, use of such accessories could be hazardous. To reduce the risk of injury, only Griot's Garage approved accessories should be used with this polisher. The Griot's Garage G15/G21 Long-Throw Orbital Polishers are designed for use with 5" or 6" Pad Systems. Use of any other size is not recommended.

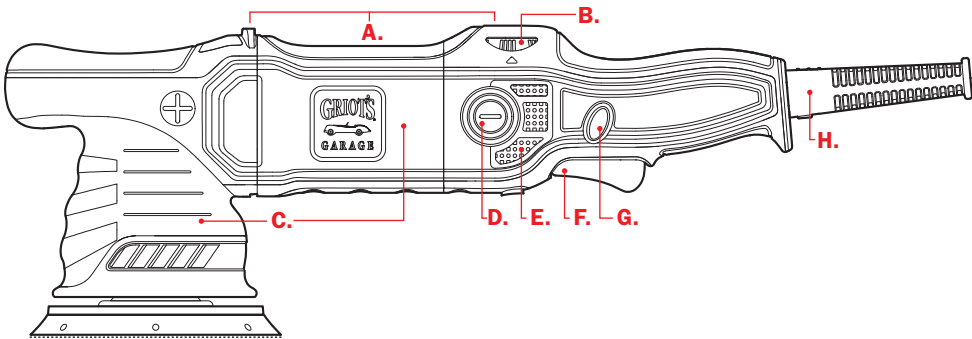
INTENDED USE

Griot's Garage G15/G21 Long-Throw Orbital Polishers are designed for polishing paint, glass, unfinished metal, fiberglass, and composite surfaces. Examples of use include but are not limited to: auto, marine, RV, and motorcycle detailing.

FUNCTIONAL COMPONENTS

⚠ WARNING: Never modify the power tool. Damage or personal injury could result.

- | | |
|-----------------------------------|---|
| A. Rest Pads | E. Contaminant Protection Screen |
| B. Speed Control Dial | F. Variable Speed Trigger Throttle |
| C. Premium Sealed Bearings | G. Trigger Lock Button |
| D. Brush Inspection Cap | H. Quick-Connect Power Cord |



Speed Control Dial (B)

The maximum speed of your polisher can be changed by rotating the Speed Control Dial. The polisher is equipped with our Constant Speed Control circuitry that ensures consistent pad speed regardless of downward pressure or lack thereof. This feature delivers optimal performance, regardless of user technique and body panel shape.

Prior to application: It is recommended that all plastic and metal trim on vehicle be taped off using Professional Masking Tape for protection from incidental engagement with backing plate and/or pad.

Recommended speeds:

Paint Correction: Speed 4 - 5 for light to moderate swirls, scratches, and stains.
Paint Perfection: Speed 3 - 4 for fine swirls, scratches, and stains.

Variable Speed Trigger Throttle (F)

The polisher is equipped with a variable speed trigger throttle. The more you pull the trigger the faster the motor will run. Release the Variable Trigger Throttle to stop motor. At maximum compression, the machine operates according to speed set on the Speed Control Dial (B).

Polisher can be locked on for continuous use by depressing the trigger and engaging the Trigger Lock Button (G), while releasing your finger from the trigger. To shut off, depress trigger and release.

NOTE: The polisher is equipped with Safety Restart Protection. Should polisher become unplugged during operation with trigger lock engaged it will require trigger lock to be disengaged before normal operation will ensue.

⚠ CAUTION: The backing plate and pad will continue to rotate briefly after the polisher is turned off.

INSTALLING FANNED ORBITAL BACKING PLATE

⚠ CAUTION: Ensure power tool is unplugged from power source.

- 1) With tool resting on its back, align backing plate hub with tool output shaft.
- 2) Carefully line up the squared edge of the backing plate with the squared edge of the orbital shaft.
- 3) Insert Allen bolt and carefully thread into output shaft. Do not cross-thread!
- 4) Tighten bolt with supplied Allen wrench. With bolt bottomed out, securely tighten with a quarter turn. The power tool is configured with the backing plate mounted directly to the drive hub.

INSTALLING BOSS™ BUFFING PAD/USAGE RECOMMENDATIONS

⚠ CAUTION: Ensure power tool is unplugged from power source.

- 1) Inspect pad (microfiber or foam) prior to installation.
- 2) Unplug power tool prior to buffing pad installation.
- 3) Center pad on backing plate and press firmly around pad.
- 4) Never run machine when pad is not resting on the vehicle's surface.
- 5) Frequent cleaning of buffing pad using a Pad Conditioner Brush is essential to reduce product build up, which can potentially lead to excessive pad weight and a subsequent increase in vibration.

OPERATING YOUR GRIOT'S GARAGE ORBITAL POLISHER

- 1) The magic of our any of our Orbital Polishers is how the pad oscillates in an orbit as it is spinning.
- 2) Attaching the buffing pads is easy. They use a hook-and-loop system, just center the pad on the backing plate (off-center pads may cause additional vibration).
- 3) Apply your liquid product in a spiral pattern from the center out to ensure even application on your pad and reduce sling at start up.
- 4) When you use the machine select a manageable work area on your vehicle, such as a 2' x 2' square, so you can better focus your efforts and reduce strain.
- 5) When operating the machine work in a cross-hatch grid pattern, as illustrated and described on page 12.
- 6) To apply the product, set the variable speed dial to 2 to minimize sling and ensure even product distribution, turn tool on, spread product over working surface, then increase speed according to product use instructions.
- 7) To correct defects, increase the speed to 3 to 5, depending on the severity of the defect, and follow the grid pattern using light downward pressure. Orbital Polishers are all about pad rotation, so excess pressure on the tool can steal away effectiveness. Start with virtually no pressure on the tool, let the tool's weight and your pad do the work. Make 3 to 4 passes (back and forth = 1 pass), wipe off the product, and evaluate the results. Also be aware that the speed in which you move the tool impacts its effectiveness so be slow, deliberate, and consistent as you work the grid. For protecting with a wax or sealant, use a speed of 2 to 3.
- 8) When finished working a grid area wipe off product residue using a clean, dry Griot's Garage microfiber towel as recommended.
- 9) Use at least two pads per process when detailing a vehicle to maintain pad/product effectiveness, ensure consistent results, and prolong pad life.

POWER TOOL MAINTENANCE

For detailed backing plate installation/changing procedures, as well as step-by-step brush replacement instructions, please visit griotsgarage.com for tech sheets and helpful how-to videos. Brush replacement is detailed below.

Your Griot's Garage G15/G21 Long-Throw Orbital Polisher has been designed to operate over a long period of time with minimum maintenance. To maintain optimal performance and long-life, proper tool care and regular cleaning must be employed.

⚠ WARNING: To reduce the risk of serious personal injury, turn off power tool and unplug from power source before making any adjustments or removing/installing accessories or attachments.

⚠ WARNING: Blow dirt and dust out of all air vents with dry compressed air at least weekly. Wear proper ANSI Z87.1 (CAN/CSA Z94.3) eye protection and proper NIOSH/OSHA/MSHA respiratory protection when performing this.

NOTE: The Contaminant Protection Screen may be removed for more thorough cleaning by gently prying it out with your fingers. Reinstall by aligning vent grilles and pressing screen back into place.

⚠ CAUTION: Never use solvents or other harsh chemicals for cleaning the non-metallic parts of the tool. These chemicals will attack and weaken the nylon composite materials used in these parts. Griot's Garage Citrus Multi-Surface Cleaner is a safe and effective option. Apply liberally, agitate with a soft nylon bristle brush, then wipe tool down with a damp, microfiber towel.

⚠ CAUTION: Check for misalignment or binding of moving parts, breakage of parts, and any other condition that may affect the power tool's operation. If damaged, have the power tool repaired before use.

FAILURE TO START

- 1) Should your tool fail to start, check to make sure the prongs on the cord plug are making good contact within the outlet. Also check for blown fuses or open circuit breakers in the line.
- 2) If power tool persists in not starting, unplug and inspect motor brushes for excessive wear. Replace if necessary.
- 3) Inspect power cord for cuts or shorts. Remove Quick Connect Power Cord (H), then reinsert ensuring "click" sound is audible. Should excessive wear be identified, contact Griot's Garage for replacement cords and/or service

BRUSH REPLACEMENT

Brushes are wear items and normal wear is not covered under warranty. The power tool comes with a spare set of replacement brushes. Additional brushes are available for purchase.

NOTE: The polisher features auto cut-off carbon brushes. When the wear limit of the auto cut-off carbon brush is reached, the polisher switches off automatically.

- 1) Remove Brush Side-Port plugs (E) from both sides of tool using a small flathead screwdriver, turning counter-clockwise.
- 2) Grasp brass brush pressure plates and retrieve brushes from tool.
Discard appropriately.

- 3) Install replacement brushes into brush port.
- 4) Insert the Brush Side-Port plug and rotate clockwise by hand.
- 5) Turn Brush Side-Port plug clockwise using the flathead screwdriver until it bottoms out. Do not overtighten, or tool may be damaged!

PAD MAINTENANCE

- 1) While polishing, frequently clean pad face by using a Griot's Garage Pad Conditioning Brush with the machine operating at speed 2.
- 2) Following polishing process, remove buffing pad from machine, pre-rinse with hot water, and wring to expel polish residue.
- 3) Spray Griot's Garage Microfiber & Foam Pad Cleaner on the entire pad face and gently knead the pad until you create a rich lather.
- 4) Rinse thoroughly with warm water and wring out or machine wash.
- 5) Allow pad to dry completely before use. Store dry pad in the supplied BOSS™ packaging.

BOSS™ BUFFING PADS AND ACCESSORIES

BOSS accessories are designed to complement the G15 and G21 Long-Throw Orbitals Polishers. They're engineered to compliment the tool's counterbalance assembly to deliver smooth operation.

BACKING PLATES

NOTE: The G15 and G21 Long-Throw Orbital Polishers may use 5" and 6" Pad Systems interchangeably.

- **BOSS™ 5" Fanned Orbital Backing Plate B5FBP**
- **BOSS™ 6" Fanned Orbital Backing Plate B6FBP**

G15/G21 WEIGHT OPTIMIZATION SYSTEM

There is a proverbial dance that occurs between an orbital polisher's counterbalance and the combined weight of a backing plate, buffing pad, and the liquid on the pad. Balancing this combined weight translates into less vibration and a smoother running machine. For instance, microfiber pads generally weigh nearly twice as much as a foam pad so fine tuning is beneficial. Our innovative Weight Optimization System consists of three uniquely engineered bolts, each weight-matched to a Griot's Garage pad type to ensure you'll enjoy best in class performance from these machines. See the accompanying reference table for details.

BOSS™ FANNED ORBITAL BACKING PLATE Weight Optimization System Table

Size	Fastener Color	Pad Weight Range (grams)	Griot's Garage Pads
6 INCH SYSTEM	Silver	36g - 40g	BOSS Microfiber Pads
	Black	27g - 35g	Standard Foam Pads (1" thick)
	Copper	20g - 26g	BOSS Foam Pads (5/8" thick)
5 INCH SYSTEM	Silver	26g - 28g	BOSS Microfiber Pads
	Black	20g - 25g	Standard Foam Pads (1" thick)
	Copper	13g - 19g	BOSS Foam Pads (5/8" thick)

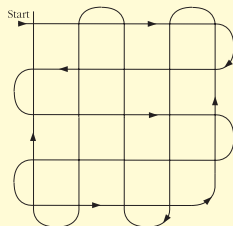
RECOMMENDED PADS, LIQUIDS, & TOWELS

 <p>BOSS™ Microfiber Fast Cutting Pad Amplify the effectiveness of any polish to rapidly remove the most severe defects.</p>	 <p>BOSS™ Microfiber Pad This aggressive pad provides rapid removal of moderate to severe defects.</p>
 <p>BOSS™ Fast Correcting Foam Pad Our most aggressive foam pad, this ultra-firm pad removes moderate to severe defects.</p>	 <p>BOSS™ Correcting Foam Pad This workhorse of a pad eliminates light to moderate scratches and defects.</p>
 <p>BOSS™ Perfecting Foam Pad This multi-purpose pad removes light swirl marks, micro hazing, and water spots.</p>	 <p>BOSS™ Finishing Foam Pad This ultra-soft pad delivers optimal color, depth, and clarity on delicate finishes.</p>
 <p>BOSS™ Fast Correcting Cream Quickly removes severe defects while adding depth and clarity to your paint.</p>	 <p>BOSS™ Perfecting Cream A two-for-one, that removes light imperfections and creates rich, deep, durable protection.</p>
 <p>BOSS™ Correcting Cream Eliminate moderate defects like light scratches and swirl marks while adding depth and clarity.</p>	 <p>BOSS™ Finishing Sealant All-in-one that eliminates fine swirls, scratches, and hazing while producing a flawless finish.</p>
 <p>Microfiber Edgeless Towels This versatile towel quickly removes polish, wax, spray detailers, and more.</p>	 <p>PFM® Dual Weave Wax Removal Towels Remove wax and buff in a safe, efficient manner.</p>
 <p>Microfiber Plush Edgeless Towels Ensure nothing but supple, plush-nap microfiber touches your paint.</p>	 <p>PFM® Terry Weave Towels An all-around towel that excels at drying, wax/polish wipe downs, & more.</p>



G15 & G21 | Long-Throw Orbital Polishers

QUICK START GUIDE



1. Check tightness of backing plate with the supplied Allen wrench.
2. Select appropriate buffing pad and polish/wax to achieve objective. (See separate insert)
3. Attach pad by centering it on backing plate and pressing it on. Thoroughly "butter" face of fresh pad with polish/compound, wax, or sealant.
4. Select appropriate tool speed: Correction: 4-5, Perfection: 3-4, Protection (Finishing Sealant): 2-5.
5. Apply pad to surface, depress trigger, and work surface in 2' x 2' overlapping passes using slow, steady arm movement and minimal downward pressure.
6. Work section with four or five passes, then wipe off using a quality microfiber towel. Apply 3 to 4 drops of product on pad for secondary applications.
7. Evaluate the condition of the surface. If the result is satisfactory, move on to next panel until all painted surfaces are completed. If desired result has not been achieved, repeat identical process, or introduce different pad/abrasive combination until desired result is achieved.
8. Once entire car is complete, relax and enjoy the shine!

Product Use

All statements, usage recommendations, and technical information contained in this manual are based on tests or development that Griot's Garage has deemed reliable. However, many factors beyond Griot's Garage's control can affect the use and performance of this Griot's Garage product in a certain application, including conditions under which the Griot's Garage product is used and the time and environmental conditions in which the product is expected to perform. Since these factors are uniquely in the user's knowledge and control, it is the responsibility of the user to evaluate the Griot's Garage product to determine whether it is suitable for a particular purpose and the user's method of application.

Warranty

- Griot's Garage Lifetime Guarantee - Griot's Garage will repair or replace any defective tool, without charge, due to faulty materials or workmanship for the working life of the tool, subject to certain exclusions below.
- Six Month Satisfaction Guarantee - We want you to enjoy our quality product and have fun with it! If you're not 100% satisfied for any reason within six months of purchase, return it to point of sale with proof of purchase for a full refund or credit.

Exclusions

- Griot's Garage Lifetime Guarantee does not cover damage caused by failure to follow recommended maintenance, misuse, alteration, or abuse. Normal wear and tear is not considered a defect, therefore part failure which may occur as the result of ordinary use is excluded from coverage.

Disclaimer

Limitation of Liability. In no event shall the monetary liability of company exceed amounts that have actually been paid to company. Company shall not be liable for consequential, indirect, special, or incidental damages under any circumstances, even if advised in advance of the possibility of such damages.

Answers To Your Questions

To order additional pads and liquids, or for a complete selection of Griot's Garage products, please call us toll-free at **800-345-5789**, email us at customerservice@griotsgarage.com, or go to griotsgarage.com.

Have fun in your garage!

Griot's Garage, Inc. • 3333 South 38th Street • Tacoma, WA 98409
800-345-5789 • griotsgarage.com

©2020 Griot's Garage Inc.