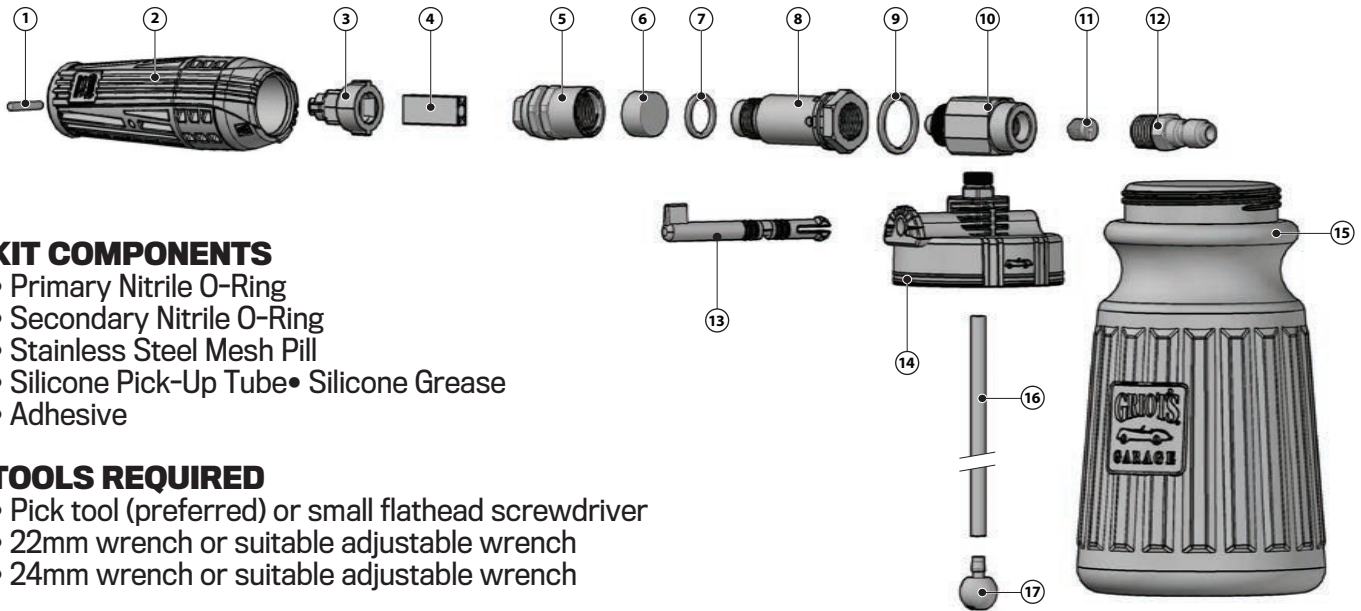




Brilliant Finish™ Foam Cannon Rebuild Instructions

Over time your Brilliant Finish™ Foam Cannon may experience inferior performance due to product build up causing clogging or degradation of seals. If you experience reduced foam output or leaking, it may be time to rebuild your Brilliant Finish™ Foam Cannon. Below are quick and easy instructions on how to get your cannon back up and running at peak performance.



KIT COMPONENTS

- Primary Nitrile O-Ring
- Secondary Nitrile O-Ring
- Stainless Steel Mesh Pill
- Silicone Pick-Up Tube • Silicone Grease
- Adhesive

TOOLS REQUIRED

- Pick tool (preferred) or small flathead screwdriver
- 22mm wrench or suitable adjustable wrench
- 24mm wrench or suitable adjustable wrench

INSTRUCTIONS

1. Press **Nozzle Retainer Pin (1)** of black nozzle adjuster with pick or small flathead screwdriver and set in a secure location. It may require a light tap of a small mallet.
2. Remove **Nozzle (2)** from cannon barrel and set aside.
3. Using a 22mm box wrench or adjustable wrench carefully remove the **Fan-Jet Housing (5)** from the manifold by firmly turning counterclockwise. This may require additional torque. Should this present a challenge, soak manifold assembly in hot water for 5 minutes. Additional opposing force may be required, applying a 24mm wrench on the **Secondary Manifold (8)**
4. Once **Fan-Jet Housing (5)** is removed, rest on workbench and carefully insert screwdriver through Fan-Jet (3) side and press out the **Stainless-Steel Mesh Pill (6)** from the barrel end using a small flathead screwdriver. Another option is to insert j-hook pic on opposing side and remove pill by pulling it out.
5. Insert new **Stainless-Steel Mesh Pill (6)** from rebuild kit and firmly seat it into position by applying pressure with small flathead screwdriver.
6. Should the **Primary (9)** and **Secondary (7) Nitrile O-Rings** show wear or cracking, remove, and replace.
7. Soak parts in "hot" water to remove any build up residue. Rinse and dry.
8. Re-assemble in reverse order.
9. Place a small drop of adhesive onto the male threads located on the **Secondary Manifold (8)** and re-thread on **Primary Manifold (10)** ensuring to clock/position the nozzle fan vertically. Do not fully tighten or the nozzle end will not be oriented vertically. Adhesive will set and lock the barrel/nozzle end in place.
10. Apply a moderate film of Silicone Grease to the full perimeter of the **Primary Nitrile O-Ring (9)**.
11. Slide **Nozzle (2)** over manifold assembly and insert locking pin fully. A pick tool or small flathead screwdriver can be helpful getting the pin fully into place.
12. Replace **Silicone Pick Up Tube (17)**, if original component is deteriorated. Firmly pull-on tube to remove, and slide new tube onto hose barb located on the bottom of the **Dual-Threaded Cap (14)**

NOTE

Always rinse cannon out thoroughly with clean water following a wash to prevent Stainless-Steel Mesh Pill from clogging. Simply turn the Detergent Dial counterclockwise